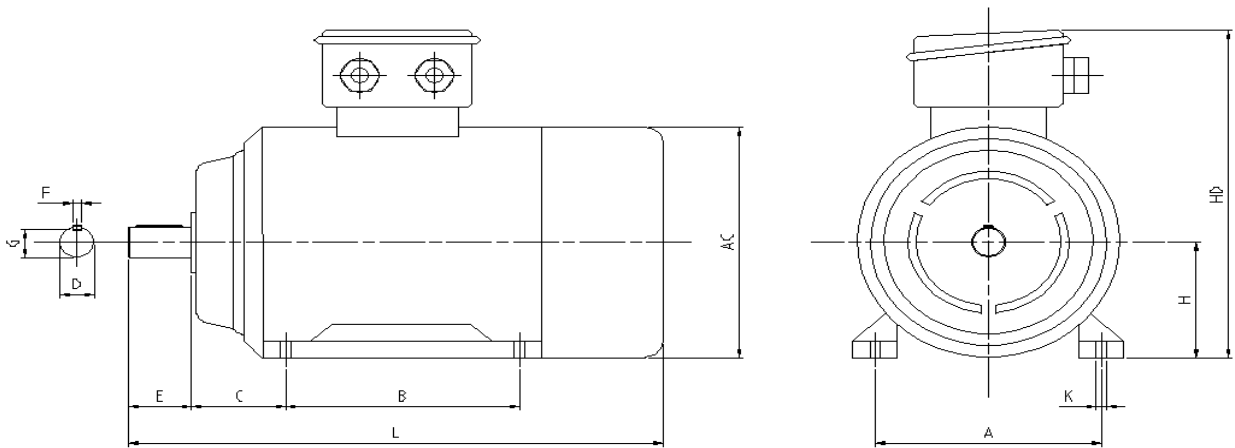


## AC 3-Phase Electrical Squirrel Cage Motors -- MSE3 SERIES

<b>FORNITORE</b> FOURNISSEUR SUPPLIER	E.M.C.	<b>GRANDEZZA &amp; TIPO</b> TAILLE & TYPE SIZE & TYPE	MSE3 112M4	<b>EFFICIENZA</b> EFFICENCY EFFICACITÉ	IE 3
<b>POTENZA NOMINALE</b> PUISSANCE NOMINALE NOMINAL POWER	4,00 kW	<b>POTENZA NOMINALE</b> PUISSANCE NOMINALE NOMINAL POWER	5,5 Hp	<b>VELOCITA'</b> VITESSE SPEED	1.440 Rpm
<b>TENSIONE</b> TENSION RATED VOLTAGE	230 400 V	<b>FREQUENZA</b> FREQUENCE FREQUENCY	50 Hz	<b>CARCASSE</b> BODY CARCASSE	ALLUMIUM
<b>CORRENTE NOMINALE</b> COURANT NOMINAL RATED CURRENT	14,10 8,14 A	<b>COPPIA NOMINALE</b> COUPLE NOMINAL RATED TORQUE	26,53 Nm	<b>PESO</b> POIDS WEIGHT	44 kG
<b>SOVRATEMPERATURA</b> ECHAUFFEMENT TEMPERAURE RISE	B	<b>CLASSE ISOLAMENTO</b> CLASSE ISOLATION INSULATION CLASS	F	<b>TEMP. AMBIENTE</b> TEMP. AMBIANCE AMBIENT TEMP.	40 °C
<b>Ma / Mn</b> Md / Mn Ms / Mn	2,3	<b>Mmax / Mn</b> Mmax / Mn Mmax / Mn	3,2	<b>la / ln</b> ld / ln ls / ln	7
<b>FATTORE DI POTENZA</b> FACTEUR de PUISSANCE POWER FACTOR	0,8	<b>RENDIMENTO</b> RENDEMENT EFFICIENCY	88,6 %	<b>SERVIZIO</b> SERVICE SERVICE	S 1
<b>FORMA COSTRUTTIVA</b> FORME MOUNTING POSITION	B 3	<b>PROTEZIONE IP</b> PROTECTION IP ENCLOSURE IP	55	<b>TROPICALIZZATO</b> TROPICAL TROPICALISE'	NO
<b>CAPPELLO PARAPIOGGIA</b> DARIN COVER PARA - PLUIE	NO	<b>SCARICO CONDENSA</b> DRAIN HOLE TROU DE POURGE	NO	<b>VERNICIATURA</b> PAINTING PEINTURE	Ral 5010 Blue
<b>TIPO CUSCINETTO</b> TYPE de ROULEMENT BEARINGS TYPE	→	<b>Lato Comando</b> Cote Accouplement Drive End Side	6306 2RS	<b>Lato Opposto</b> Cote Opposée Non Drive End Side	6306 2RS
<b>LUBRIFICAZ. GRASSO</b> LUBRIFICATION GRAISSE LUBRIFICATION GREASE	--	<b>ORE</b> HEURES HOURS	--	<b>RESIST.ANTICONDENSA</b> RESIST.de RECHAUFFAGE SPACE HEATERS	-- V -- W
<b>PROTEZIONE TERMICA</b> PROTECTION THERMIQUE THERMAL PROTECTION	---	<b>CUSCINETTO ISOLATO</b> INSOLATED BEARING ROULEMENT ISOLEE	NO	<b>VENTILAZIONE ASSISTITA</b> VENTILATION FORCEE' FORCES VENTIALTION	-- kW -- V -- A
<b>SENSO DI ROTAZIONE</b> DIRECTION OF ROTATION SENSE DE ROTATION	CW / CCW	<b>ENCODER</b> ENCODER CODEUR	NO	<b>NORME</b> NORMES STANDARD	IEC & CE



MOTOR DIMENSION - FRAME SIZE H								112
D	E	F	G	C	A	B	AC	L
28	60	8	31	70	190	140	240	400
N	P	M	LA	T	S	K	AD	HD
--	--	--	--	--	--	12	--	240

<b>NOTE</b>	1)	--
	2)	--
	3)	--

E.M.C. reserves the right to change the data in order to improve its product without prior notice. Version updated August 2015